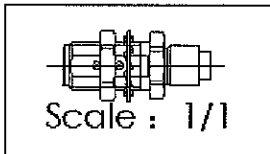
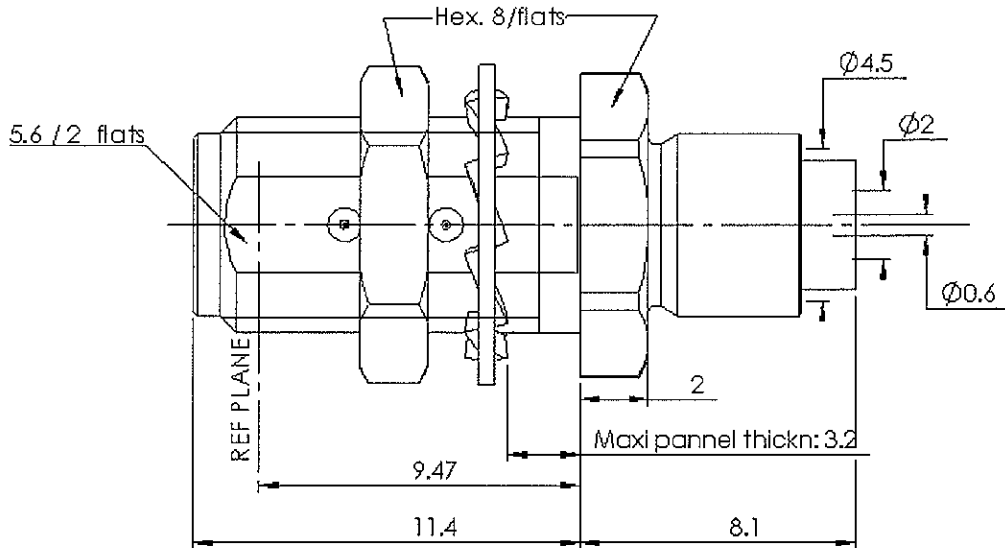


STRAIGHT BULKHEAD JACK INVERSED CRIMP

R124.310.023

CABLE 2/50 S

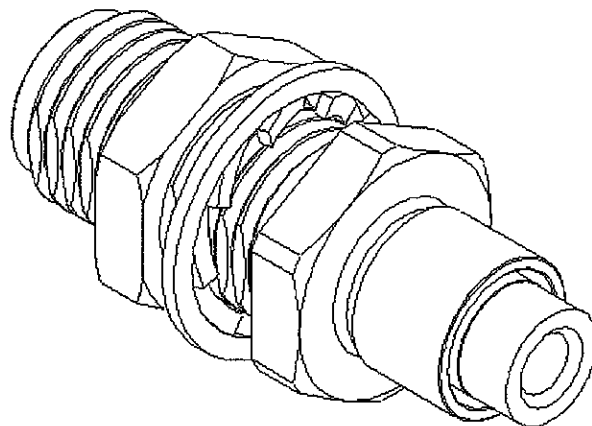
Series : SMA-COM



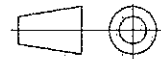
PANEL CUT OUT



	mm	
	Maxi	mini
A	65	64
B	58	57



All dimensions are in mm.



COMPONENTS	MATERIALS	PLATINGS (µm)
BODY	BRASS	GOLD 0.2 OVER NICKEL 2
CENTER CONTACT	BERYLLIUM COPPER	GOLD 1.3 OVER COPPER 2.5
OUTER CONTACT	-	-
INSULATOR	PTFE	-
GASKET	-	-
OTHERS PARTS	BRASS	GOLD 0.2 OVER NICKEL 2
-	-	-
-	-	-

Issue : 0542 A

In the effort to improve our products, we reserve the right to make changes judged to be necessary.



STRAIGHT BULKHEAD JACK INVERSED CRIMP

R124.310.023

CABLE 2/50 S

Series : SMA-COM

PACKAGING

Standard	Unit	Other
100	'W' option	Contact us

SPECIFICATION

CABLE ASSEMBLY

Stripping	a	b	c	d	e	f
mm	3.00	10.0	0.00	1.50	5.00	0.00

ELECTRICAL CHARACTERISTICS

Impedance		50	Ω
Frequency		0-12.4	GHz
VSWR	*1.6 +	0.000	x F(GHz) Maxi
Insertion loss		0.05	√F(GHz) dB Maxi
RF leakage	- (60	- F(GHz)) dB Maxi
Voltage rating		170	Veff Maxi
Dielectric withstanding voltage		500	Veff mini
Insulation resistance		5000	MΩ mini

Assembly instruction :

Recommended cable(s)
 KX 21
 RG 196
 RG 178 LC
 RG 178

N

Characteristics indicated on this data sheet are those that can be achieved with the highest performance cable. Intrinsic limitations of the cable may diminish the performance of the assembly

Cable retention

- pull off 45 N mini
 - torque NA N.cm

MECHANICAL CHARACTERISTICS

Center contact retention			
Axial force – Mating end		NA	N mini
Axial force – Opposite end		15	N mini
Torque		NA	N.cm mini

Recommended torque			
Mating		NA	N.cm
Panel nut		150	N.cm
Clamp nut		NA	N.cm
A/F clamp nut		0.000	mm

Mating life		100	Cycles mini
Weight		3.550	g

TOOLING

Part Number	Description	Hexagon
R282.235.009	CRIMPING DIES	4.53
R282.293.000	CRIMPING TOOL	-
R282.211.000	CRIMPING TOOL	4.53
R282.967.013	POSITIONER FOR CRIMPING TOOL	2x4 (pos. 5)

ENVIRONMENTAL

Operating temperature		-65/+165	°C
Hermetic seal		NA	Atm.cm3/s
Panel leakage		NA	

OTHERS CHARACTERISTICS

* VSWR max: up to 2 GHZ

Issue : 0542 A

In the effort to improve our products, we reserve the right to make changes judged to be necessary.

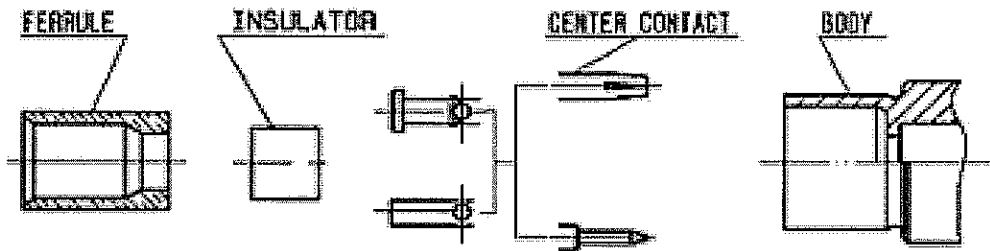


STRAIGHT BULKHEAD JACK INVERSED CRIMP

R124.310.023

CABLE 2/50 S

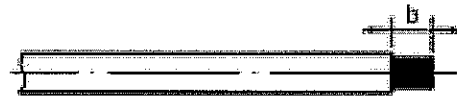
Series : SMA-COM



①

Strip the cable .

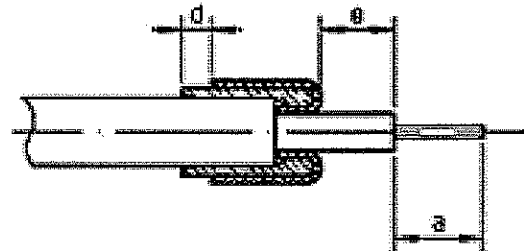
-
-
-
-



②

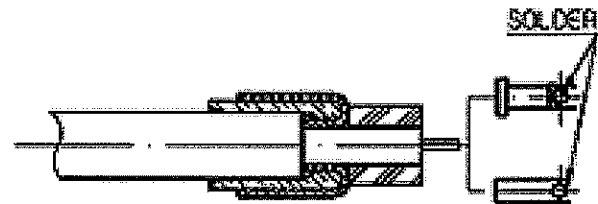
Slide on the ferrule until it bottoms against the jacket .
Fan the braid.
Fold back braid and trim off surplus braid.
Trim the inner conductor as shown.

-
-
-



③

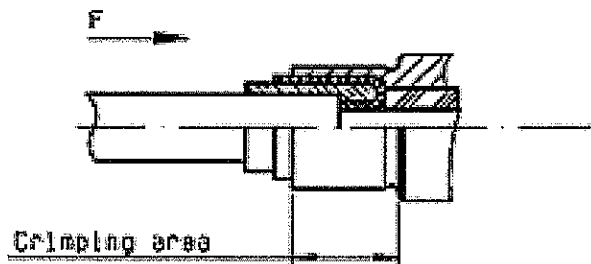
Slide the spacer .
Slide on the center contact until it bottoms against cable dielectric .
Solder or crimp center contact
(See connector TDS)



④

Slide sub-assembly into the connector body with the ferrule.

(See connector TDS)



Issue : 0542 A

In the effort to improve our products, we reserve the right to make changes judged to be necessary.

